

d  
DN  
PN

( ) ( )

20°

g  
U  
s  
U-PVC  
PP-H  
PVC-C  
PVDF  
ABS  
EPDM  
FPM  
PTFE  
PE  
PA  
PPS  
k<sub>v100</sub>

( )

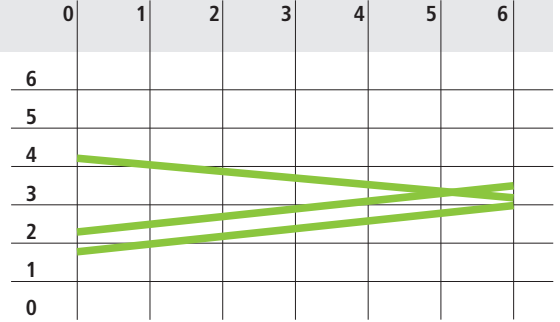
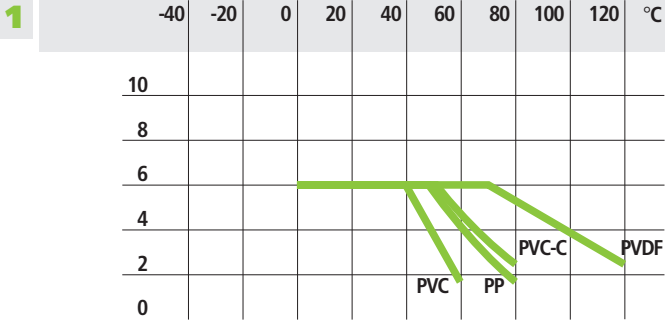
( )

- -

k<sub>v100</sub>  
k<sub>v100</sub> -  
Äp = 1

/

20°



**3**

DN	12	15
$k_{v100}$	47	58

	.6
	4-7
	(NC-NO-DA)
*	.40°
	0,027 NL
	EPDM-FPM-NBR-PTFE**
	PVC, CPVC, PP, PVDF
*	
**	

**1**

( 25 )

**2**

**3**

$k_{v100}$  ( )

FIP

U-PVC: ISO727, EN 1452, DIN 8063, BS4346/1, ASTM 2467/76a.  
 ISO161/1, EN 1452, DIN 8062, NF T54-016, BS3506, BS3505, ASTM

1785/76.

PVC-C: ISO727, EN ISO 15493, ASTM F439.  
 EN ISO 15493, DIN 8079/8080, ASTM D 1785/76.

PP-H: DIN 16962  
 : ISO 3609, DIN 8077, UNI 8318, BS 4991.

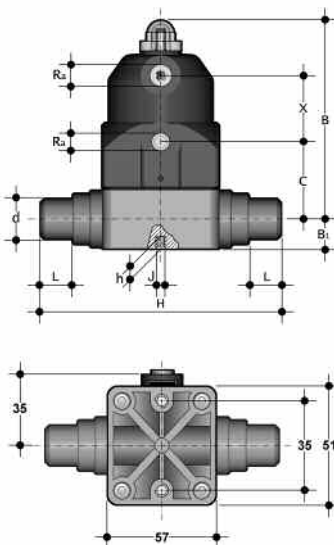
PVDF: ISO DIS 10931  
 : ISO DIS 10931/2

: UNI-ISO 228/1, DIN 2999, BS21.  
 : ISO 2084, EN 1452, DIN 8063, ASA ANSI B.16.5 150.

**CMDV/CP CMDM/CP CMDC/CP CMDF/CP**

ISO

U-PVC, PP-H, PVC-C, PVDF

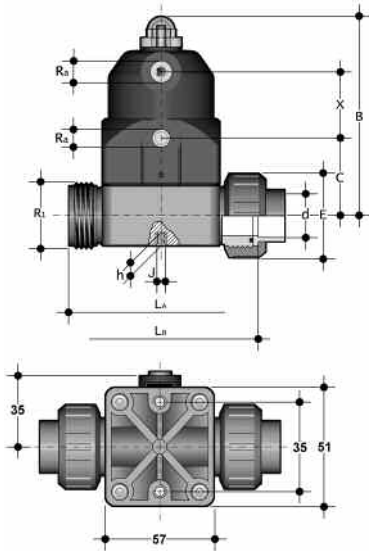


d	DN	PN	B	B <sub>1</sub>	C	X	Ra	L	H	h	J	g
20	15	6	98	12,5	38	34	1/8"	16	124	8	M5	340

**CMUIV/CP CMUIM/CP CMUIC/CP CMUIF/CP**

U-PVC, PP-H, PVC-C, PVDF

ISO

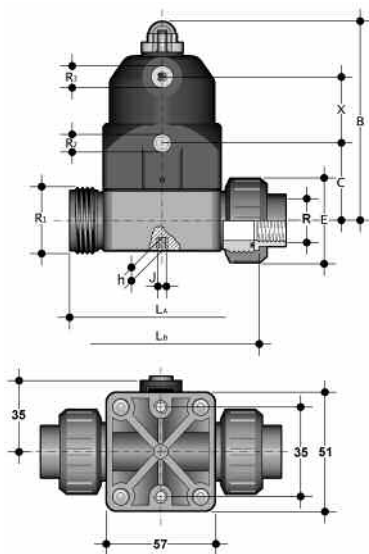


d	DN	PN	B	C	E	R <sub>1</sub>	X	Ra	L <sub>A</sub>	L <sub>B</sub>	h	J	g
20	15	6	98	38	41	1"	34	1/8"	90	96	8	M5	340

**CMUFV/CP**

U-PVC

BSP

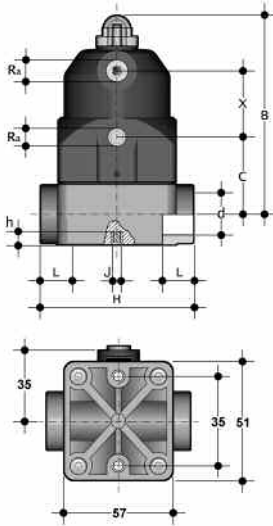


R	DN	PN	B	C	E	R <sub>1</sub>	X	Ra	L <sub>A</sub>	L <sub>B</sub>	h	J	g
1/2"	15	6	98	38	41	1"	34	1/8"	90	96	8	M5	340

**CMIV/CP CMIM/CP CMIF/CP**

ISO

U-PVC, PP-H, PVDF

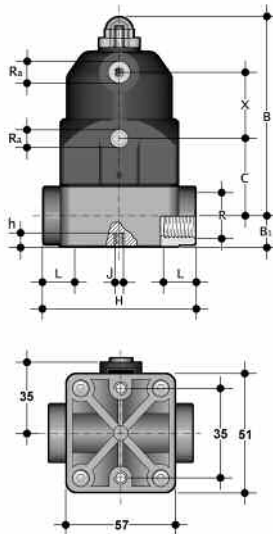


d	DN	PN	B	C	X	Ra	L	H	h	J	g
16	12	6	98	38	34	1/8"	14	75	8	M5	340
20	15	6	98	38	34	1/8"	16	75	8	M5	340

**CMFV/CP CMFM/CP CMFF/CP**

BS

U-PVC, PP-H, PVDF



d	DN	PN	B	C	X	Ra	L	H	h	J	g
3/8"	12	6	98	38	34	1/8"	14	75	8	M5	340
1/2"	15	6	98	38	34	1/8"	16	75	8	M5	340

1)

2)

3)

4)

1)

2)

3)

4)

1)

2)

3)

4)

\*

».

(17)

(14)

(9),

6), (7) (10)

(4)\*

(9).

(15).

(17)

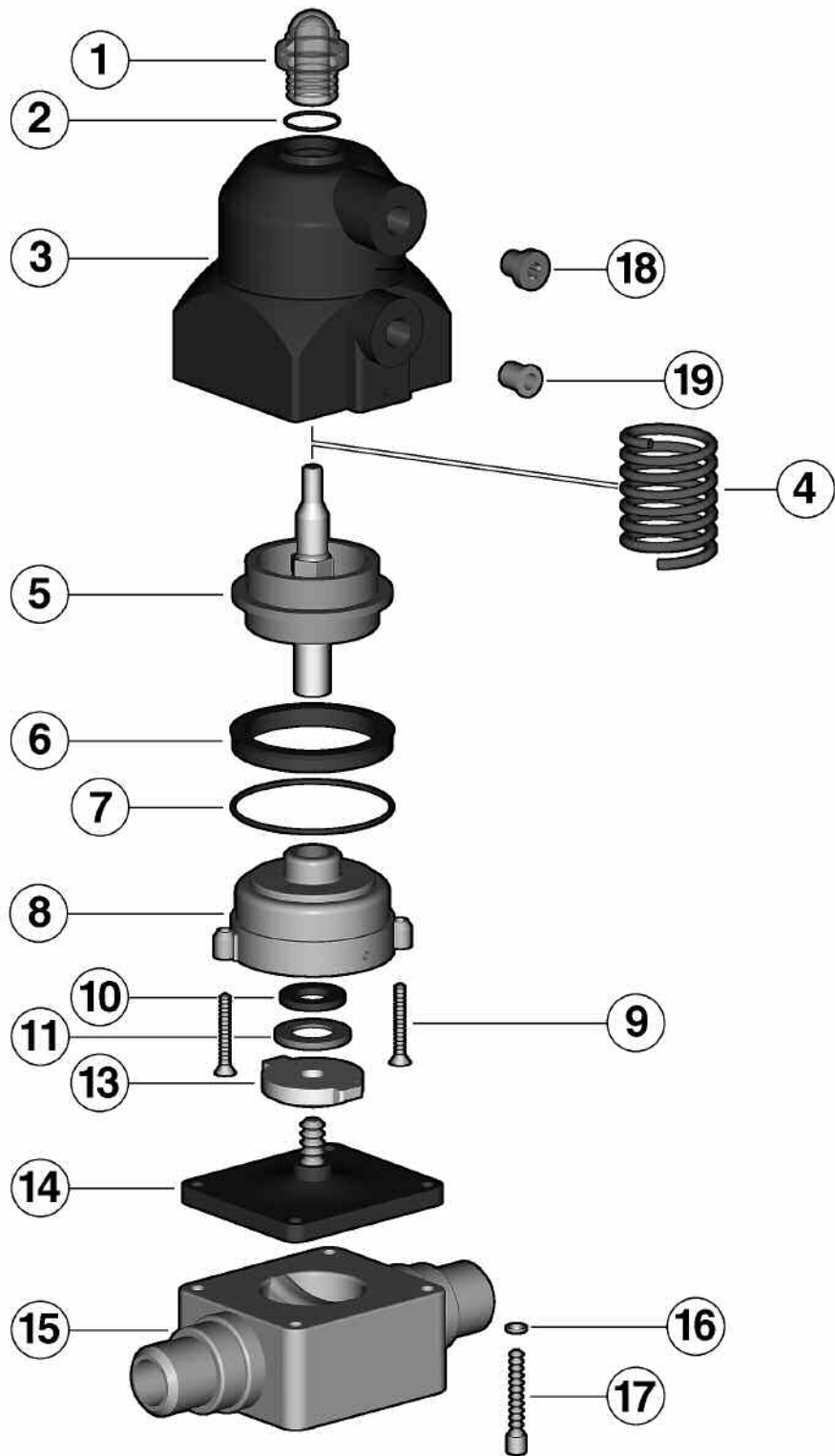
(16)

\*

NC / NO







1		VC	1
2		NBR	1
3		PAMXD6	1
4	(*)		1
5		W. 1.4104+ PAMXD6	1
6	(**)	NBR	1
7		NBR	1
8		PAMXD6	1
9			1
10		NBR	1
11			6
12			6
13		PAMXD6	1
14		EPDM, FPM, PTFE	1
15		PVC-U, PVC-C, PP, PVDF,	1
16			4
17		W. 1.4104	4

(\*)

NC NO

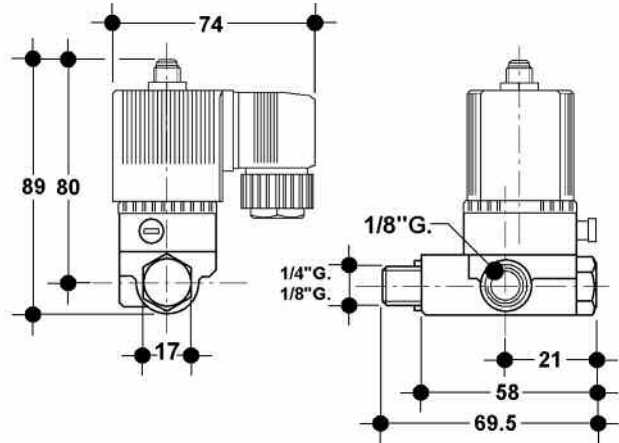
(\*\*)

DA

**SP**

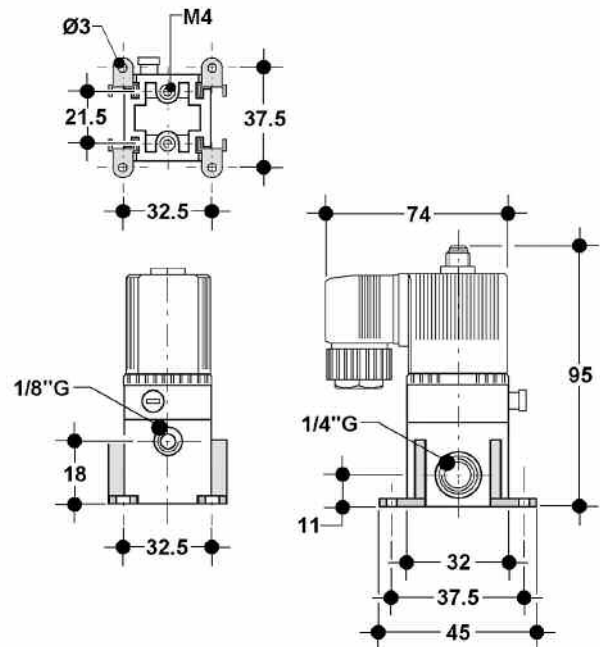
3/2

DN 2,5


**SB**

3/2

DN 2,5



**SP - SB**

(NC)  
(NO)

2,5

PBTB  
NBR  
0-10  
-10 - +60°  
200 / (6 - P 1)  
230/110/24 ±10%  
40-60  
200/110/100/48/24/12 ±10%  
: 24 ; 17 /8  
: 8  
4 90° Pg9 (6-9 )  
IP65  
100% ( )  
(60% )  
: . 10-15 , . 15-20  
: . 15-20 , . 10-22

290

**24.11...**


	DN	
CM/NC-NO-DA	12÷15	ZLP2411011

**24.12...**


	DN	
CM/NC-NO-DA	12÷15	ZLI2412012

**24.15...**


**24.91... / 24.92...**

24.91 ( ) 24.92 ( )

100

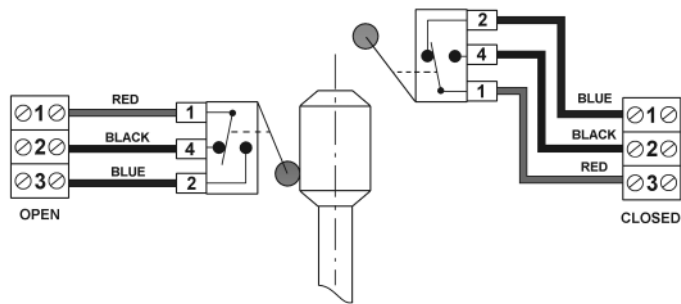
Pg9,

– IP65.

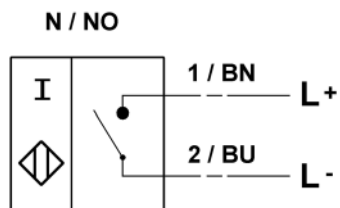


**24.91...**

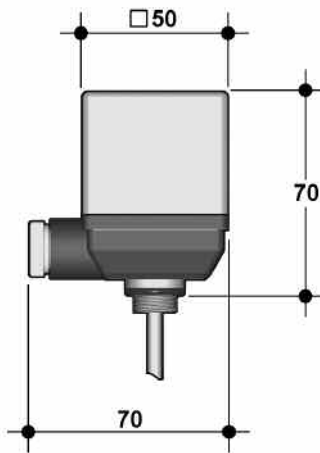
	250 – 5
	5 x 10 <sup>6</sup>
	IP65
	85°


**24.92... NAMUR**

	NAMUR 2-
	5 – 25
	8
	IP65
	EEx ia IIC T6



## 24.91... / 24.92...



## 24.91...

	<b>DN</b>	
CM/NC-NO-DA	12÷15	ZMS2491001

## 24.92... NAMUR

	<b>DN</b>	
CM/NC-NO-DA	12÷15	ZMS2492001



24.90...

24.90

FIP

360°.

Pg9.

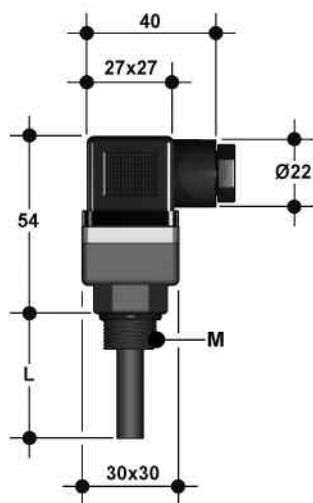
-10° +55°



## 24.90...

	250 - 5
	IP65
	+55 °

## 24.90...



	DN	M	L	
CM/NC	12÷15	12x1	12	ZMS2490001